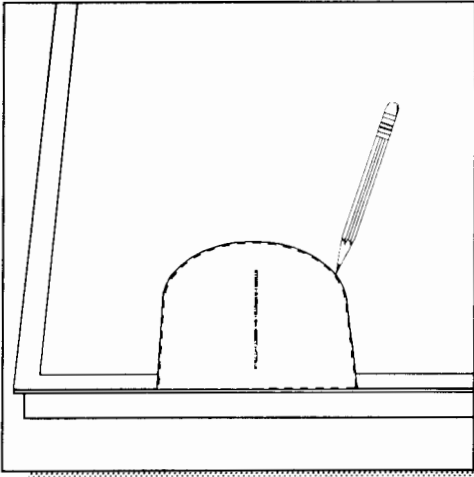
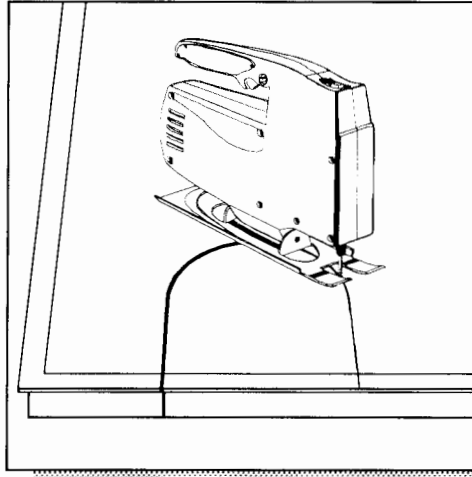


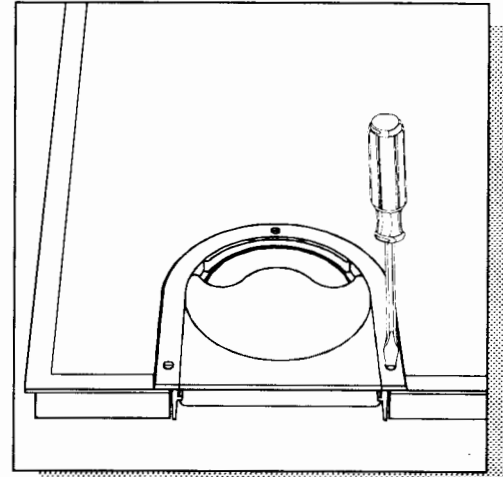
# INSTALLATION INSTRUCTIONS FOR THE GTUU5 PERIMETER GROMMET



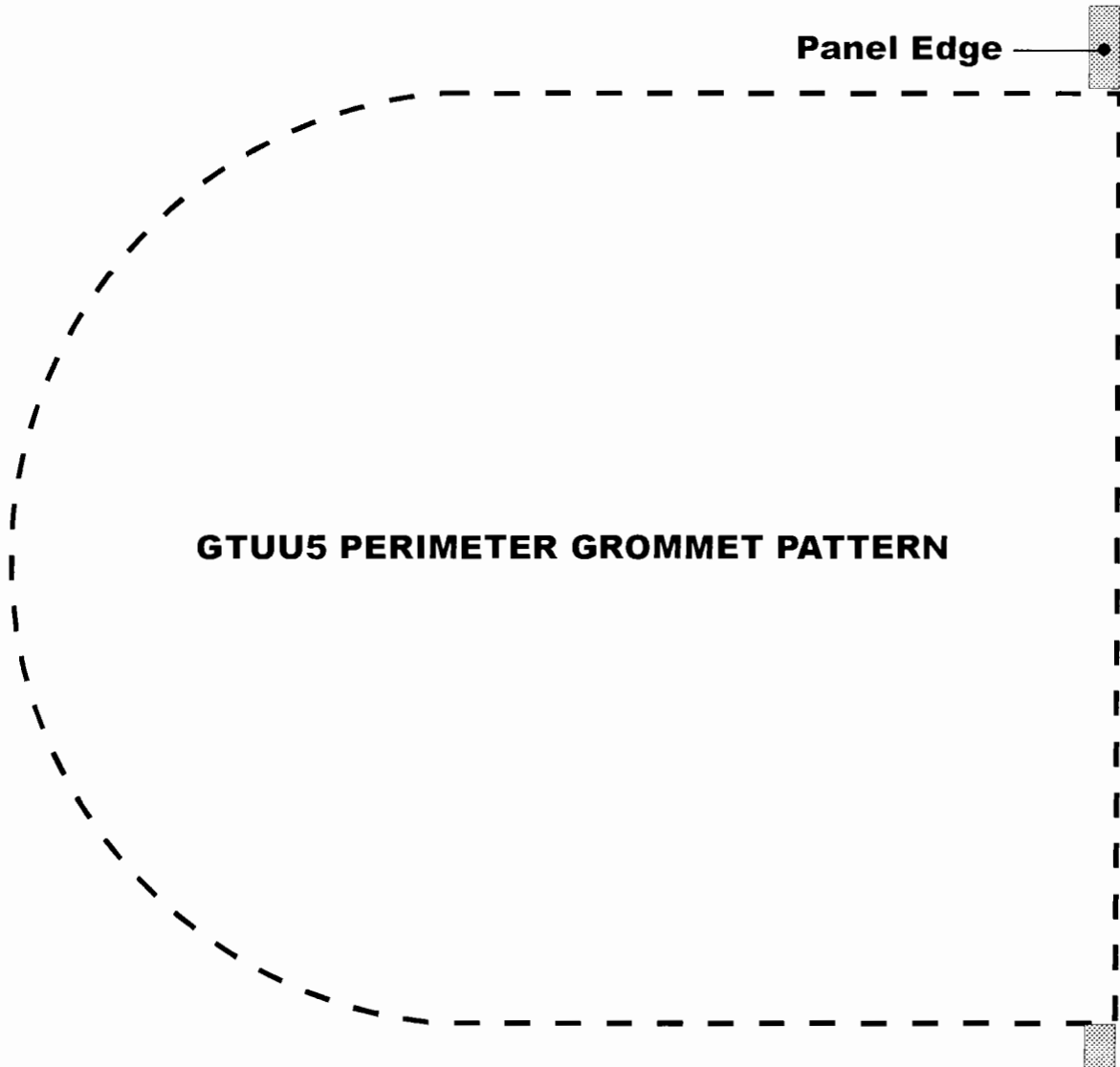
**1.** Trace pattern on floor panel



**2.** Use jig saw and cut along traced pattern



**3.** Insert grommet w/ cover and fasten w/ sheet metal screws or rivets



**GTUU5 PERIMETER GROMMET PATTERN**