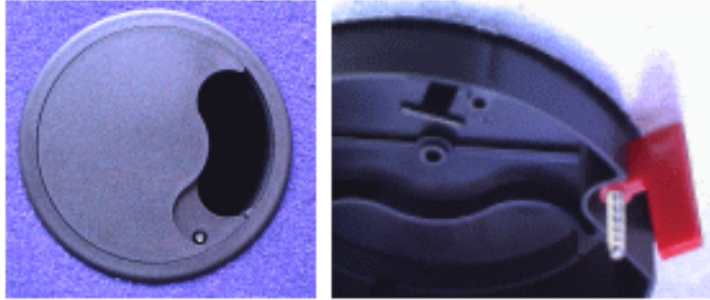


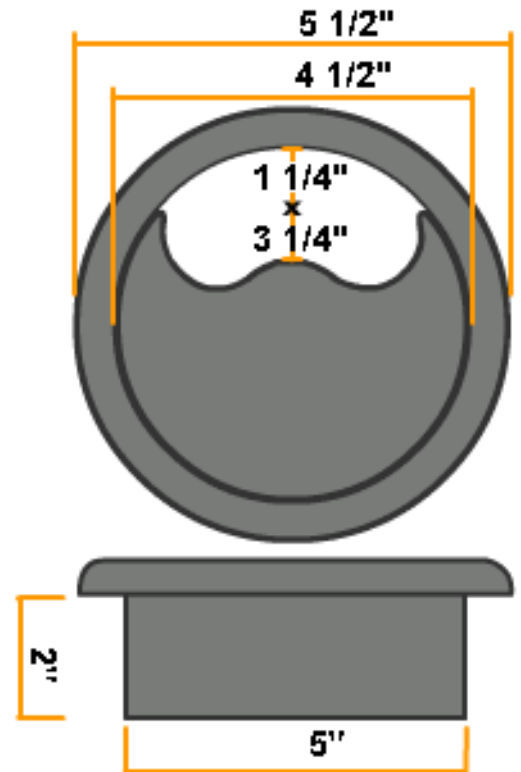
Custom Plastic Distributors

GTCL5



- Grommet designed for standard 5" opening. Fixture is 2" deep.
- Polycarbonate Flame retardant high-strength plastic.
- Grommet surface is textured to complement surrounding floor coverings and modular furniture.
- Adjustable two-piece cover will allow up to three 1-1/4" cables. Grommet cover is completely closable using two-piece cover system.
- Features a locking mechanism that holds the grommet into place in the panel which eliminates the possibility of the grommet "pulling out" of the hole. This clamping feature is easily installed by adjusting (2) screws located under the cover of the unit.
- Optional neoprene Air Plenum Gasket forms airtight seal around the grommet.
- Stock colors: black and mid-grey. Custom colors available on request (minimum order requirements).

**A 5" hole is needed for installation*



WWW.ACCESSFLOORGROMMETS.COM .TOLL FREE: 800-899-2084 . FAX: 860-779-5837