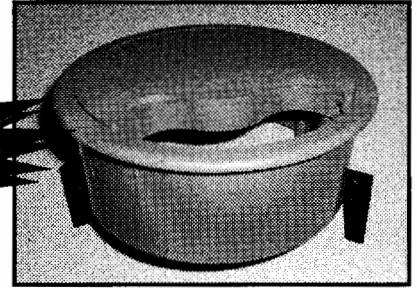


GTLC5

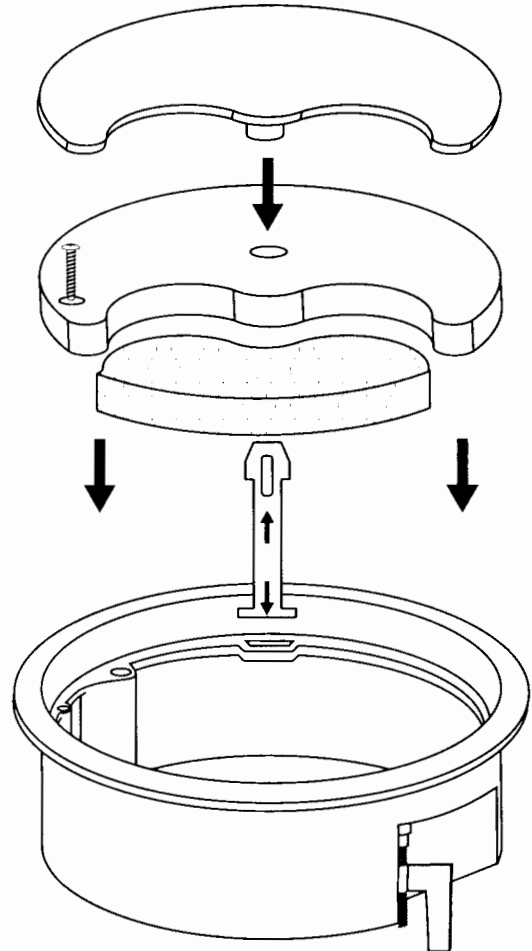
Air Plenum Model

for use in under floor air systems - GTLC5AP

NEW PRODUCT!!!

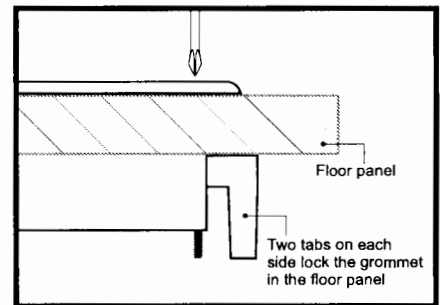
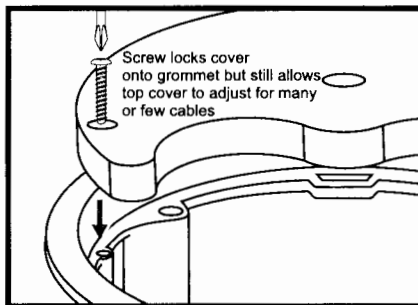
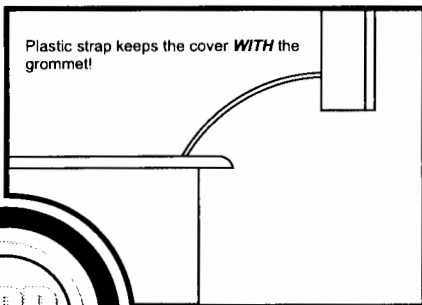


- 5" Grommet
- Locks into place with clamping devices
- Cover is mechanically fastened to unit
- **NO LOST COVERS !!!**
- Neoprene gasket at cable opening eliminates air loss in under floor air environments
- Heavy duty ABS construction
- Fire rated material



Visit us online at
www.accessfloorgrommets.com

— **CALL FOR FREE SAMPLE** —



Custom Plastic Distributors P.O. Box 672 Putnam, CT 06260 • 1-800-899-2084 • Fax 1-860-779-5837